
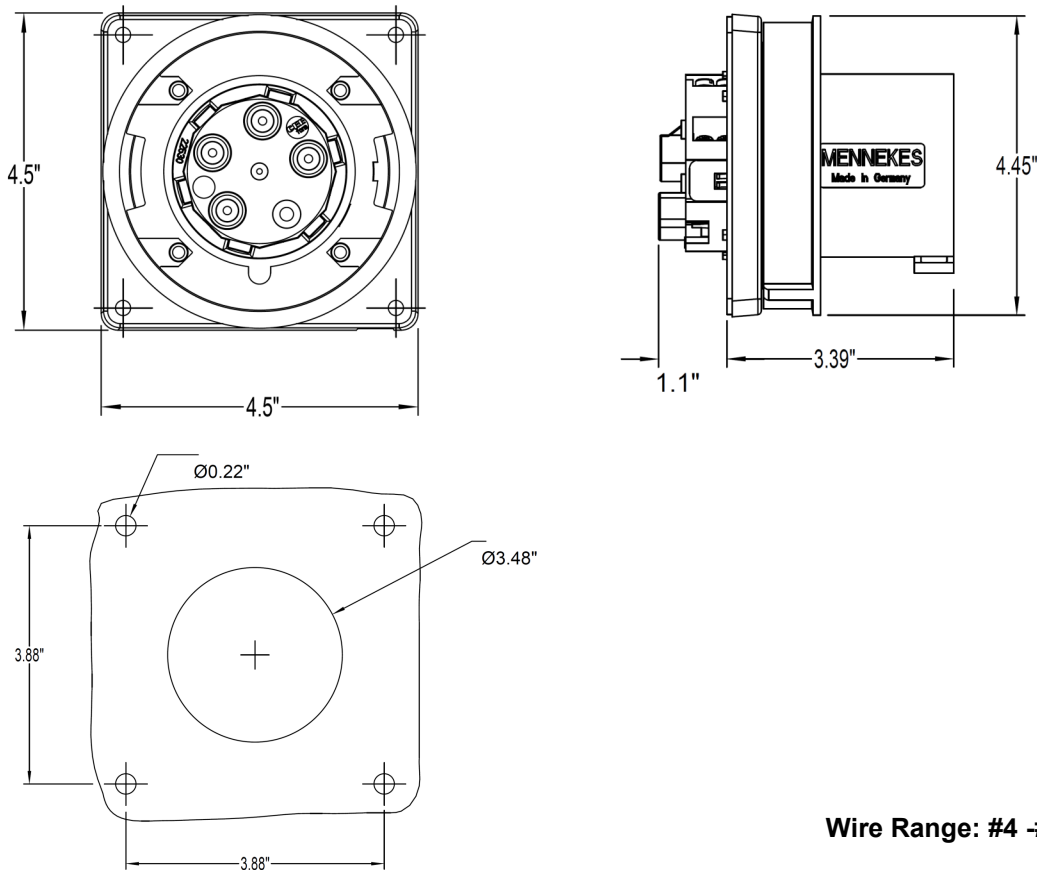

INLET, PANEL MOUNTING

Part No.	ME 560B7W-L
Description:	60 Amp 3ØY 277/480Vac 4 Pole, 5 Wire Inlet
Construction:	UL Type 4X; IEC IP 67 Watertight
Approvals:	 to UL Standards 1682; 1686 and CSA C22.2 No. 182.1 UL Locked Rotor HP Rating – 15 HP IEC 60309-1; IEC 60309-2

IEC COLOR CODE: Red**GROUND SOCKET:** 5 Hour Position Mates with Female in 7 Hour Position.**Wire Range: #4 -#8 AWG**

Drawing Not to Scale